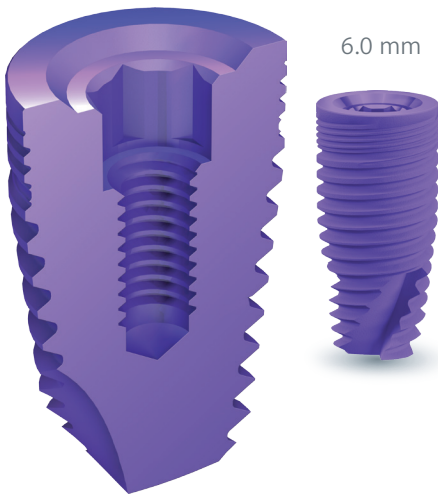
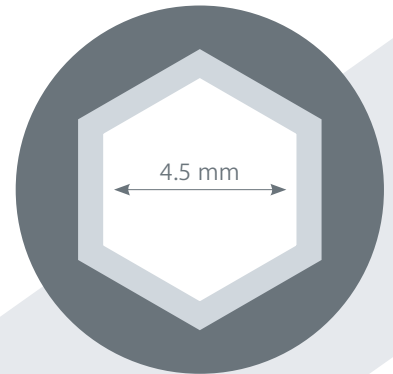


WIDE PLATFORM 6MM WIDE IMPLANTS



The PALTOP Wide Platform 6.0mm implant has an outer diameter of 6.0mm and a 4.5mm hexagonal connection. It is designed for restoration of the posterior regions and molar extraction sites. The PALTOP Wide Platform has a matching wide prosthetic line.



| ADVANCED CLASSIC | |
|------------------|----------|
| 6.0 | |
| 6.0 mm | 20-70022 |
| 8.0 mm | 20-70023 |
| 10.0 mm | 20-70024 |
| 11.5 mm | 20-70025 |
| 13.0 mm | 20-70026 |
| 16.0 mm | 20-70027 |



| ADVANCED PLUS | |
|---------------|-----------|
| 6.0 | |
| 6.0 mm | 20-70022P |
| 8.0 mm | 20-70023P |
| 10.0 mm | 20-70024P |
| 11.5 mm | 20-70025P |
| 13.0 mm | 20-70026P |
| 16.0 mm | 20-70027P |







| DYNAMIC | |
|---------|----------|
| 6.0 | |
| 6.0 mm | 21-70022 |
| 8.0 mm | 21-70023 |
| 10.0 mm | 21-70024 |
| 11.5 mm | 21-70025 |
| 13.0 mm | 21-70026 |
| 16.0 mm | 21-70027 |

6MM WIDE IMPLANT DRILLING KIT

cat # 60-70114



| | | |
|----------|---------------------------------|---|
| 60-70098 | 6.0 mm implant long final drill |  |
| 60-70121 | 3.8/4.3 Long step twist drill |  |
| 60-70123 | 4.3/5.3 Long step twist drill |  |
| 60-70143 | Countersink for 5mm&6mm Implant |  |

WIDE PLATFORM PROSTHETICS

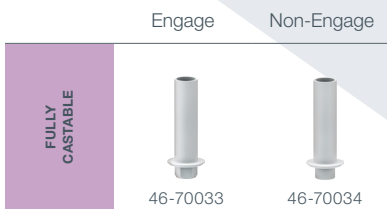
CONCAVE HEALING CAPS



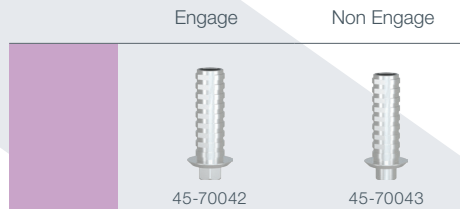
STRAIGHT HEALING CAPS



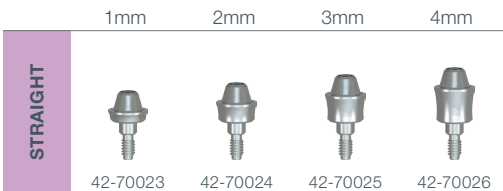
FULLY CASTABLE ABUTMENTS



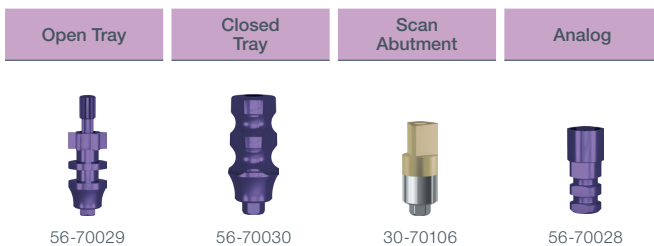
TEMPORARY TITANIUM ABUTMENTS



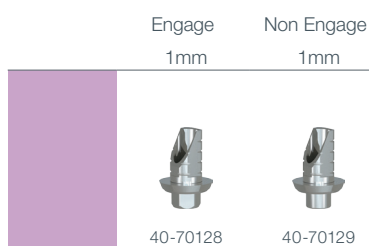
MULTI-UNIT



IMPRESSION COPINGS



TITANIUM BASES



STRAIGHT TITANIUM ABUTMENTS

